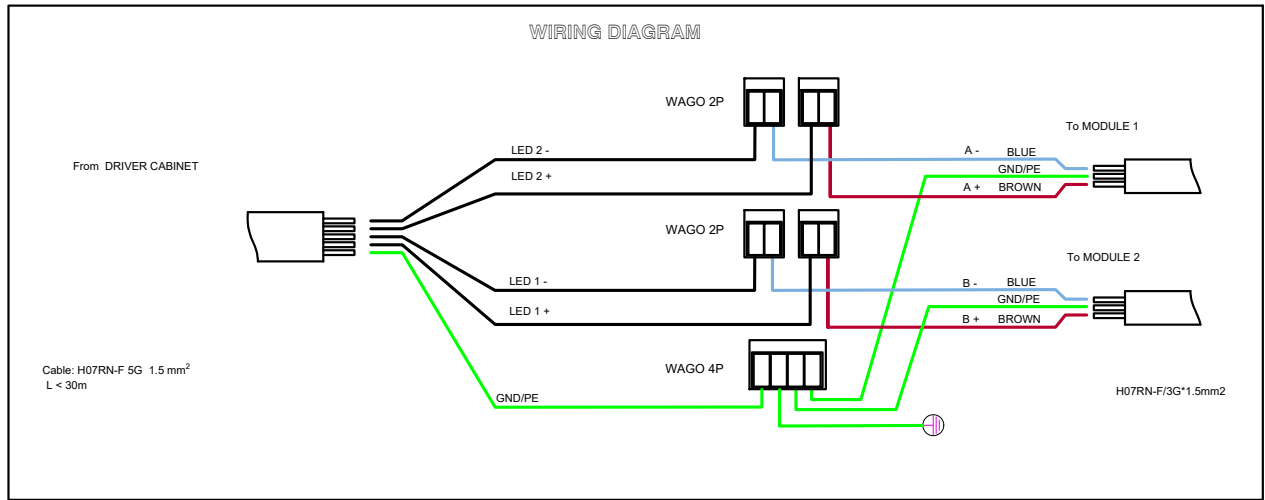
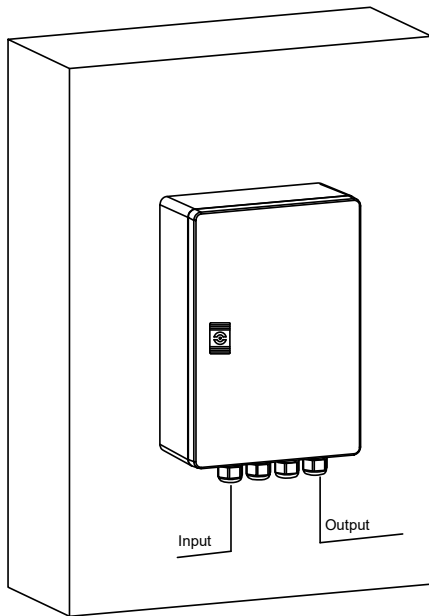


Wiring scheme | Luminaire to Driver box



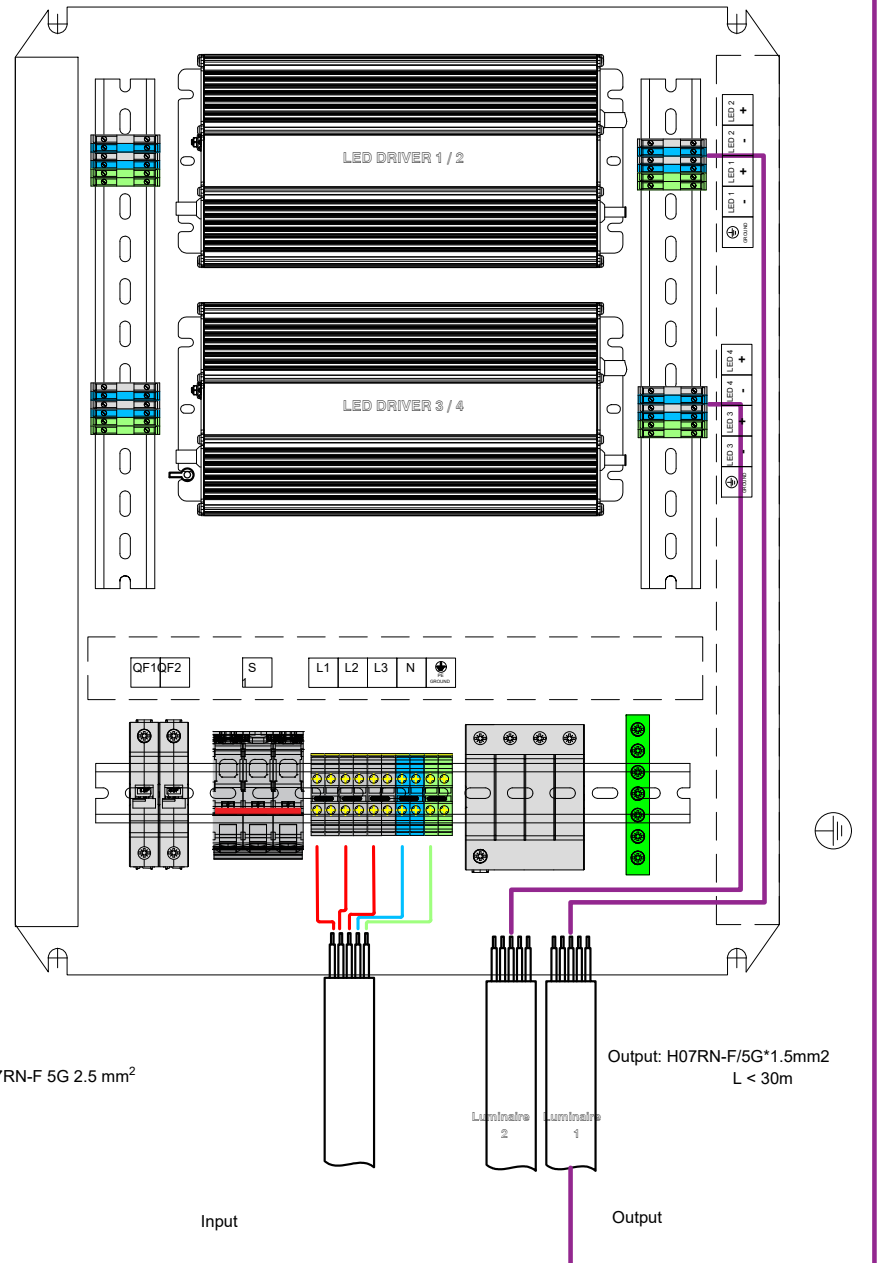
Electrical connection | Driver box

Driver box mounting



PG cable gland must be under the box in order to ensure waterproof

Input Cable : H07RN-F 5G 2.5 mm²



CARDI
Belysning från Elektroskandia